

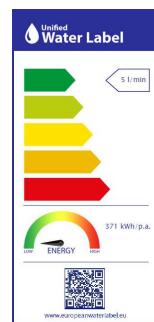
Sanitana

CARACTERÍSTICAS DO MODELO:

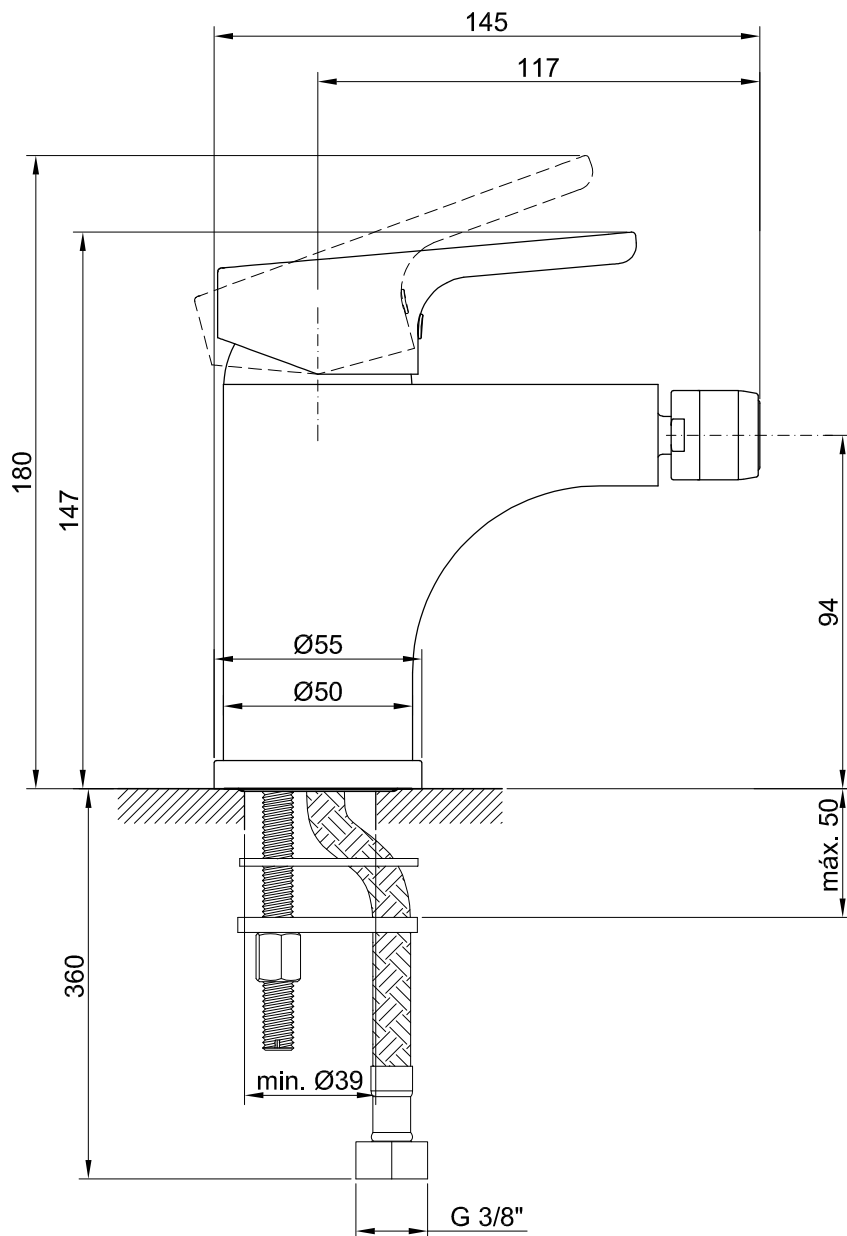
- MATERIAL: LATÃO (ACABAMENTO CROMADO)
- CARACTERÍSTICAS: CARTUCHO Ø 40mm
COM DISCOS CERÂMICOS
- CONSUMO ÁGUA: 5,0L/M
- GARANTIA: 5 ANOS
- PESO: 1.2 KG

PEÇA:

- DESCRIÇÃO: TORNEIRA DE BIDÉ
- SERIE: LOOP
- VERSÃO: MONOCOMANDO
- REF: S50208200012600



CROQUIS COM DIMENSÕES GERAIS E DE LIGAÇÃO:



COMPONENTES INCLuíDOS:

- FLEXÍVEIS DE ALIMENTAÇÃO DE 3/8"

PRODUTOS ASSOCIADOS:

- VÁLVULAS: (OPCIONAL, VER CATÁLOGO GERAL)
- BIDÉS: (OPCIONAL, VER CATÁLOGO GERAL)

Os produtos apresentados seguem especificações técnicas internas da Sanitana SA. As dimensões são meramente indicativas. Para instalação à medida apenas devem ser consideradas as dimensões retiradas da peça a ser aplicada. Reservamos o direito de fazer alterações técnicas que permitam melhorar a funcionalidade dos nossos produtos sem aviso prévio.

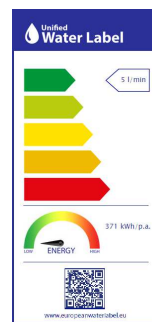
Sanitana

FEATURES OF THE MODEL:

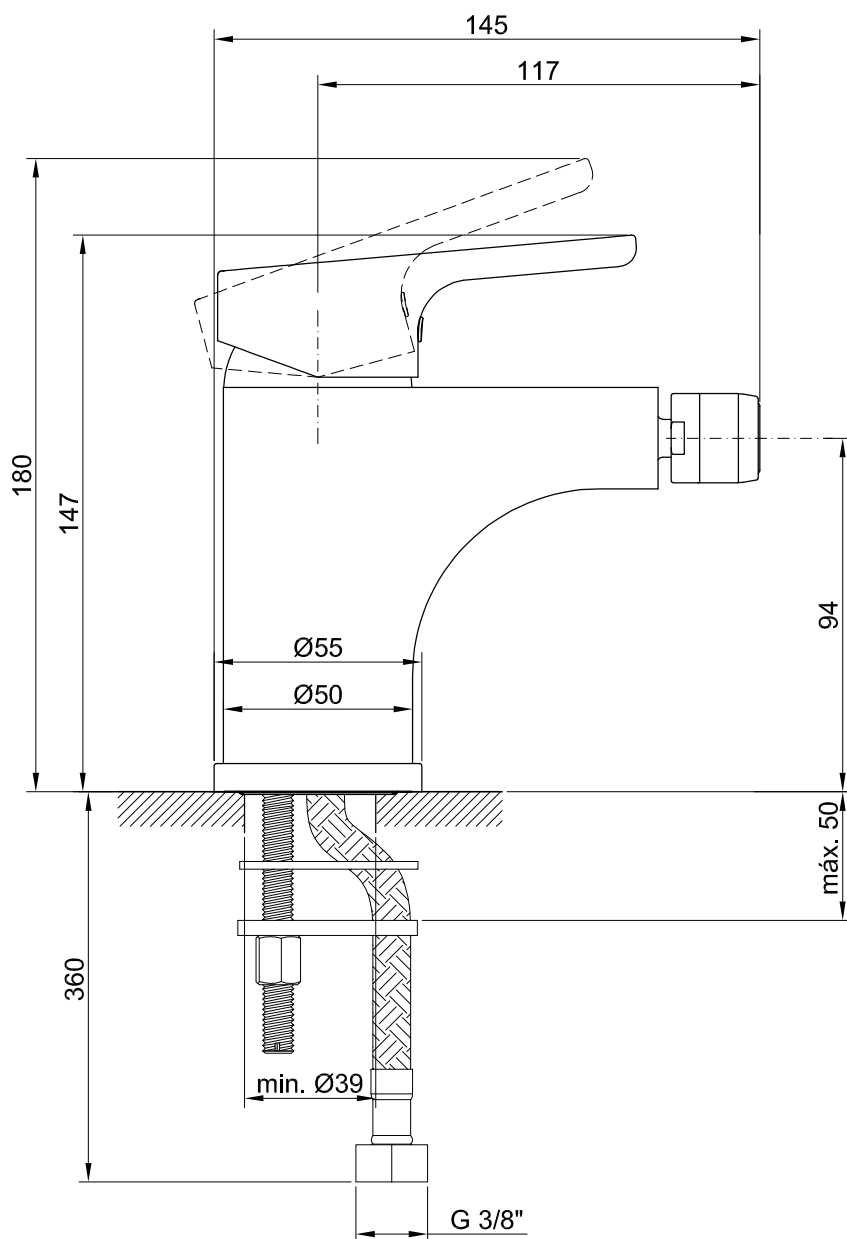
- MATERIAL: BRASS (FINISHING CHROME)
- FEATURES: CARTRIDGE INSIDE Ø 40mm WITH CERAMIC DISCS
 - FLOW RATE: 5,0L/M
- WARRANTY: 5 YEARS
- WEIGHT: 1.2 KG

PART:

- DESCRIPTION: BIDET MIXER
- SERIES: LOOP
- VERSION: SINGLE LEVER
- REF: S50208200012600



SKETCH WITH DIMENSIONS AND CONNECTIONS:



INCLUDED COMPONENTS:

- 3/8" FLEXIBLE CONNECTING HOSES

RELATED PRODUCTS:

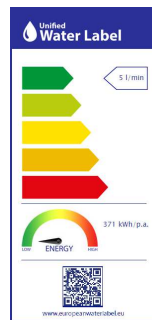
- WASTE VALVE: (OPTIONAL, CONSULT GENERAL CATALOGUE)
- BIDETS: (OPTIONAL, CONSULT GENERAL CATALOGUE)

The products presented follow technical specifications by Sanitana SA. Dimensions provided are indicative only. For custom installation, should only be considered the dimensions measured directly on the part to be installed. We reserve the right to make technical changes to improve the functionality of our products without prior notice.

Sanitana

FEATURES OF THE MODEL:

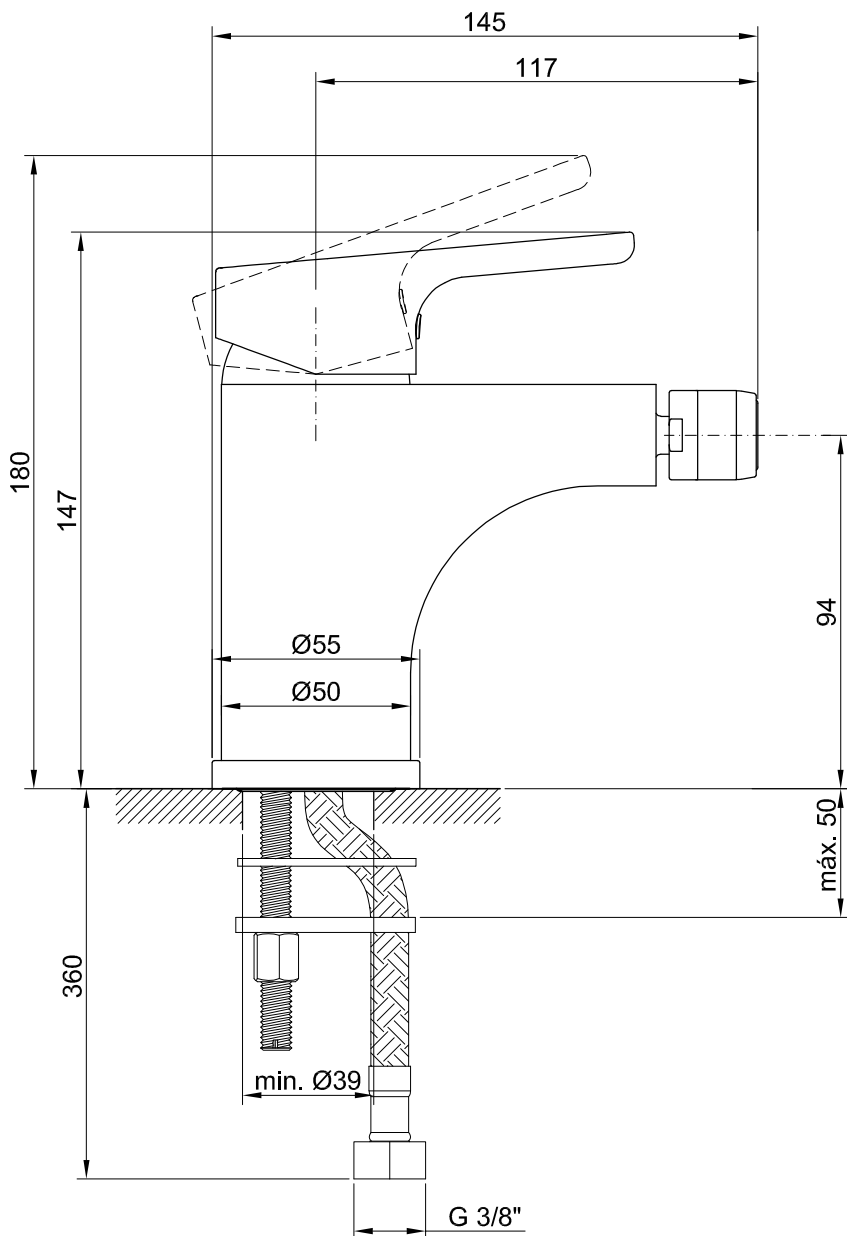
- MATERIAL: BRASS (FINISHING CHROME)
- FEATURES: CARTRIDGE INSIDE Ø 40mm WITH CERAMIC DISCS
 - FLOW RATE: 5,0L/M
- WARRANTY: 5 YEARS
- WEIGHT: 1.2 KG



PART:

- DESCRIPTION: BIDET MIXER
- SERIES: LOOP
- VERSION: SINGLE LEVER
- REF: S50208200012600

SKETCH WITH DIMENSIONS AND CONNECTIONS:



INCLUDED COMPONENTS:

- 3/8" FLEXIBLE CONNECTING HOSES

RELATED PRODUCTS:

- WASTE VALVE: (OPTIONAL, CONSULT GENERAL CATALOGUE)
- BIDETS: (OPTIONAL, CONSULT GENERAL CATALOGUE)

The products presented follow technical specifications by Sanitana SA. Dimensions provided are indicative only. For custom installation, should only be considered the dimensions measured directly on the part to be installed. We reserve the right to make technical changes to improve the functionality of our products without prior notice.